

**Contact Information
Kontakt-Info
Información de contacto
Coordonnées
Contatti**

Address
BeachTek Inc.
1855 Kirschner Rd.
Suite 230
Kelowna, British Columbia
Canada V1Y 4N7

Phone
416-690-9457

Email
info@beachtek.com

Website
www.beachtek.com



Operating Manual

**DXA-2T
Camcorder Adapter**



This operating manual explains the function settings and how to use the adapter to record audio into the camera.



©BeachTek Inc. 2010

English

Deutsch

Español

Français

Italiano

Thank You for Purchasing a BeachTek Product

- Before using this high quality device, please read this operating manual thoroughly to obtain the highest performance.
- Please contact us if you have any problems or questions.

Description

The BeachTek DXA-2T is a two-channel, transformer balanced XLR adapter for today's small, compact camcorders. This adapter is designed to easily attach professional microphones and other audio gear to any camcorder that has a built-in microphone jack. The DXA-2T gives you all the benefits of using balanced audio devices for noise-free operation as well as control over the signal levels to ensure the best possible sound recording. Since the adapter is a passive device, it is completely noise-free and the premium transformers ensure superb audio. The adapter is also virtually unclipable and offers an extremely wide dynamic range. No power or batteries are required to operate the adapter.

The DXA-2T is very easy to set up and use. It allows you to connect a wide variety of audio devices including professional microphones, wireless systems and even take a feed from a house sound system or mixer. The dual trim

English

controls allow you to adjust the input levels independently and the output switch lets you select mono or stereo operation. The rugged die-cast aluminum construction is encased in a rubber boot which makes this device truly reliable and dependable even in the most demanding situations. Its compact size fits neatly under any camcorder – it can also be mounted to any standard tripod.

2

Features

Inputs

- Two transformer balanced XLR connectors
- One unbalanced mini-jack — ideal for wireless microphones

Output

- Unbalanced stereo mini-jack with a replaceable output cable
- Selectable MONO or STEREO

Trim Controls

- Adjusts signal level on each channel from unity to no output

LINE / MIC Switches

- Switchable input between LINE or MIC levels for versatility

Balancing Transformers

- Premium wide-bandwidth transformers for superb audio
- Shielded in a custom deep drawn mu-metal cover for very quiet operation

Chassis

- Die-cast aluminum chassis
- Rubber boot provides added protection and comfort

3

Quick Setup Guide

- 1) Mount the DXA-2T to the camera by lining up the mounting bolt and azimuth pin on top of the adapter with the tripod holes on the underside of the camera. Turn the mounting bolt under the adapter with a coin or screwdriver until snug.
- 2) Connect the supplied output cable from the OUT jack on the adapter to the MIC input on the camcorder. If the camera has a MIC/LINE input selector, set it to MIC.
- 3) Initially set the G2/G1 ground switch to G2.
- 4) Set the LIN/MIC switches to MIC for microphones and wireless systems or LIN for mixers.
- 5) Set the M/S switch to M for mono when using one channel or to S for stereo when using two channels.
- 6) Initially set the LEFT and RIGHT trim controls fully clockwise for no attenuation.
- 7) Connect your audio sources to the LEFT and RIGHT XLR or AUX inputs on the adapter.
- 8) Plug your headphones into the PHONES jack on the camera to monitor the audio. Be sure that you hear audio on both channels from the connected devices.

4

- 9) Before starting to record, adjust the LEFT and RIGHT trim controls if you hear any distortion through the headphones or if the camera vu meter shows peaking.
- 10) You may need to switch the G2/G1 ground switch to G1 if you hear any odd noises from ground loops. Set it to whatever position sounds best.
- 11) You are now ready to begin recording.

Note, we recommend the use of sensitive condenser type microphones for the best results. Dynamic microphones usually do not have sufficient output levels and may result in an excessive amount of hiss from the high level of amplification necessary by the camera's audio preamplifiers. Microphones with a sensitivity rating of greater than -40 dBV are ideal.

5

Adapter Controls and Connectors

❶ M/S Switch

The M (MONO) setting mixes both channels together and sends the audio to both the right and left channels, which is ideal when only one microphone is being used. Be sure to keep the trim control for the unused channel fully clockwise (yes, clockwise) so that it does not interfere with the working channel. The S (STEREO) setting keeps both channels separated and should normally be used when two microphones are connected. This provides two discrete channels of audio.

❷ G2/G1 Switch

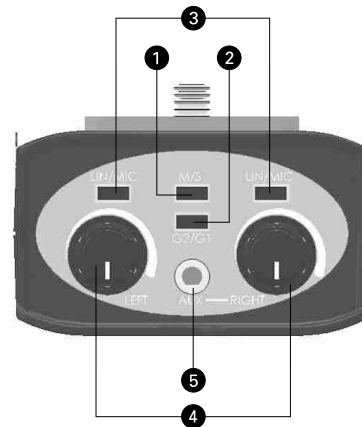
Set the G2/G1 ground switch on the DXA-2T to the position that gives you the least amount of noise. This switch allows the input and output grounds to be isolated to prevent ground loops when connected to AC powered mixing boards.

❸ LIN/MIC Switches

To connect a microphone to either channel of the DXA-2T, set the corresponding LIN/MIC switch to MIC. To connect a line level output from a mixer to the DXA-2T, set the LIN/MIC switch to LIN to activate a 40 dB pad. This attenuates the signal to the proper level so that it will not overdrive the input of your camcorder.

6

Control Panel



❹ LEFT and RIGHT Trim Controls

Each channel has a trim control that attenuates the input signal from unity to no gain. Since the adapter is passive you should normally set the trim controls as high as possible without causing distortion. If necessary, adjust either the left or right trim control to balance both inputs so they are of equal amplitude.

Most camcorders use an automatic gain control (AGC) to adjust the optimum audio level for recording. If your camcorder has no way of disabling this feature, the adapter can still be used to adjust the input levels but will not override the AGC circuitry.

7

If your camcorder allows you to switch the AGC off, you can use this option for manual control over the audio levels. For the best signal to noise performance, set the gain on the camera to about 30 to 40% of maximum and then adjust the trim controls on the adapter for the proper level. As a guide, the recording levels should be no higher than -12 dBFS (-12 dBV below maximum). Please refer to your camcorder's user manual for more information on setting the proper recording levels.

❺ AUX Input Jack

The unbalanced input is ideal for connecting a wireless receiver that has a mini-plug output cable. This sends the signal to the right channel. Be sure to disconnect any cables from the right XLR input when using the AUX input.

❻ LEFT and RIGHT XLR Inputs

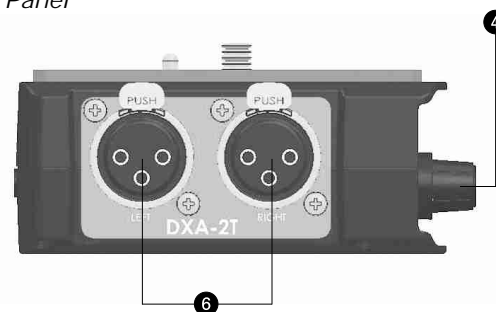
The two balanced XLR inputs attach to professional microphones or other audio gear such as mixers and sound boards.

8

❼ OUT Jack

This jack outputs the mic level signal from the adapter for connection to the camera. Use the supplied output cable to connect to the MIC input on the camera.

XLR Panel



Back Panel



9

Specifications

Input Level	MIC setting: -35 dBu ideal LINE setting: -10 to +4 dBu ideal
Output Level	Nominal MIC levels
Frequency Response	20 Hz to 20 kHz (+/- 3 dB)
Dimensions	3.75" x 2.5" x 1.5" (L x W x H) (95 mm x 64 mm x 38 mm)
Weight	10 oz (0.28 kg)

Limited Two Year Warranty

This warranty covers any defects or malfunction in your new BeachTek adapter for two years from date of purchase.

BeachTek will replace or repair any defective or malfunctioning adapter, within the warranty period, at no charge. The warranty does not cover damage resulting from accident, alteration, misuse or abuse. The device must be sent to our service center at your expense.

Should you require service please contact us for an RMA Request before returning the unit. Return instructions can be found on our website at www.beachtek.com under the Support Option.

Upon receiving the returned adapter it will be inspected, and replaced or repaired if found defective. The unit will be shipped back to you within five business days at our expense.